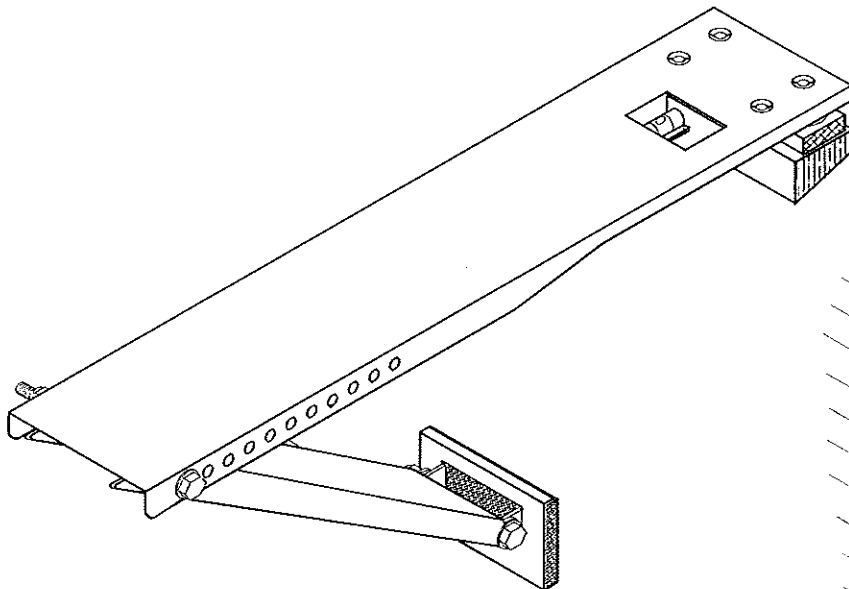


# GENERAL SPECIFICATIONS

MODEL NO.	AC-080	AC-160
MATERIAL	16 gauge steel	14 gauge steel
FINISH	Baked epoxy powder	Baked epoxy powder
UNIT DIMENSIONS (WITH LEG EXTENDED)	12"L x 3 3/8"W x 1 3/8"H (12"L x 3 3/8"W x 6 1/2"H)	17"L x 3 3/8"W x 1 3/8"H (17"L x 3 3/8"W x 10 1/4"H)
WEIGHT	1 3/4 lbs.	3 1/4 lbs.
RECOMMENDED LOAD	80 lbs. Maximum	160 lbs. Maximum
BTU RANGE - TYPICAL	5,000 - 10,000	12,000 - 24,000
WALL THICKNESS	4" - 11"	4" - 11"
EXPOSED HARDWARE	Stainless Steel	Stainless Steel
RUBBER PARTS	Neoprene	Neoprene
PLASTIC PARTS	Nylon	Nylon
FREIGHT ITEM / CLASS	178690/70	178690/70
H.S. TARIFF CODE	8302.50	8305.50



SUPPORT  
PART NOS. AC-080 & AC-160

